

KK48650 | Addition sofa - Design: Kaare Klint



DESCRIPTION

Inspired by a French rococo sofa, Klint designed a versatile, modern sectional sofa. The first variant was created in the early 1930s for the prestigious New Carlsberg Foundation offices in Copenhagen. Klint then continued to refine the design, presenting the final Addition Sofa at the 1933 Copenhagen Cabinetmakers' Guild Exhibition.

The Addition Sofa is trimmed with piping to ensure beautiful, clean seams around the seat and back. The leather pleats create rhomboid panels that are held in place with leather-covered buttons and open up when pressure is applied to the sofa to keep the leather from overstretching.

The sofa quickly earned accolades for its simple construction and sophisticated upholstery and today the modular design remains a coveted choice for contemporary interiors.

The frame is produced in solid wood and the seat/back is upholstered with leather.

THE DESIGNER

Kaare Klint (1888-1954), the man behind classics such as **the Safari Chair** (<http://www.youtube.com/embed/NSMc94KxefI?rel=0>) and the Faaborg Chair, is considered the father of Danish furniture design. For Kaare Klint, the son of architect Peder Vilhelm Jensen-Klint, exposure to architecture was a natural part of his early development. However, it was primarily as a furniture designer that Kaare Klint made his mark on Danish architecture.

Kaare Klint was born in 1888 in Frederiksberg and designed his first furniture in 1914, for the Faaborg Museum. From the beginning, Klint's furniture was characterized by harmony between his choice of form and materials, often inspired by earlier styles or other cultures.

Klint helped found the Royal Academy of Fine Arts Furniture School in 1923, and was appointed professor there in 1924. In this role, he inspired and

taught a number of prominent Danish furniture designers, who went on to pave the way for the golden age of Danish design, from 1945 to 1975.

Kaare Klint also founded the Furniture and Spatial Design Department at the Royal Academy of Fine Arts, where he employed a teaching method considered radical in his day. He asked students to construct furniture items from the inside out, based on thorough pre-analysis. The outward style was less significant; instead, the focus was on function analysis, choice of materials, and material processing.

Klint's influence led to a comprehensive renewal of Danish furniture design. He demanded clear and logical structures, with nothing superficial - only honest, pure lines, the best materials, and genuine craftsmanship.

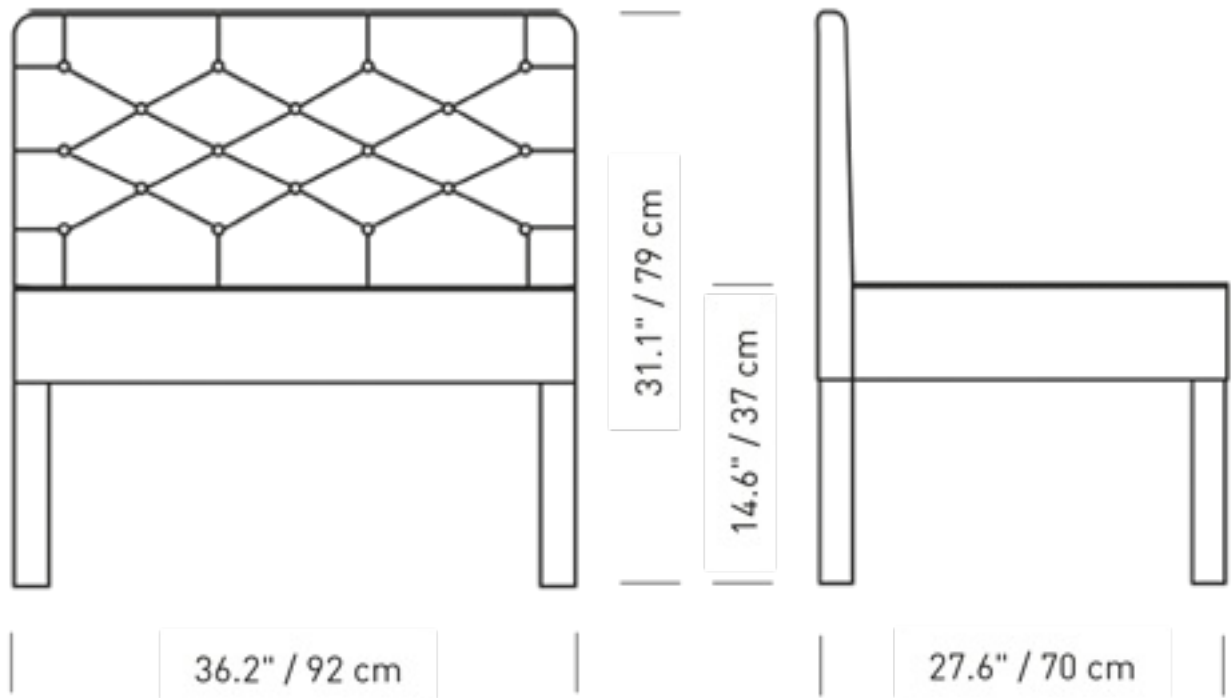
Experience Kaare Klint's classic - The 1933 Safari Chair

[\(https://www.carlhansen.com/products/lounge-chairs/kk47000/\)](https://www.carlhansen.com/products/lounge-chairs/kk47000/)

Watch the making of the Safari Chair

[\(https://www.youtube.com/embed/NSMc94Kxefl?rel=0\)](https://www.youtube.com/embed/NSMc94Kxefl?rel=0)

VARIANTS CHOICES AND DIMENSIONS



MATERIAL MATRIX

	Soap	Lacquer	Oil	White oil	Black paint
Oak	●	●	●	●	●
Walnut		●	●		

ENVIRONMENTAL INFORMATION

Carl Hansen & Søn and sustainability

People's fascination of the combination of good design and wood, as well as other natural materials, is something that transcends time and fashion. At Carl Hansen & Søn, we believe that this fascination helps to explain the great interest in our furniture, and we take very seriously concerns about the sustainability of the natural resources upon which we depend for our products. That is why we strive every day to improve our production methods, logistics and sales efforts in respect of scarce natural resources.

We buy wood only from sustainably managed forests. All sourced wood meets EUTR 2013 regulations, Danish Forest Legislation and current international certifications. Oak, beech and ash come primarily from Danish forests which are managed according to the principles described in Denmark's National Forest Programme; some of these wood types are also sourced from other similarly managed European forests, or, in the case of walnut and cherry, North American forests.

We use every possible bit of these fine hardwoods in our furniture production. Inevitably, however, there are some scraps, which are then used to produce other products or recycled in district heating plants.

TESTS AND CERTIFICATIONS

All tests and certificates are available on request.

CONTACT INFORMATION

EUROPE

Carl Hansen & Søn A/S

Hylkedamvej 77-79

DK 5591 Gelsted

Denmark

Tel: +45 66 12 14 04
info@carlhansen.com

Carl Hansen & Søn Flagship Store

Bredgade 18, 21 & 23
1260 Copenhagen K
Denmark

Opening Hours:
Monday-Friday: 11.00-18.00
Saturday: 10.00 - 15.00

Phone: +45 64 47 23 60
retail@carlhansen.dk

Carl Hansen & Søn Showroom Oslo

Drammensveien 130 B9
0277 Oslo
Norway

+47 900 77 087
hrs@carlhansen.dk

Carl Hansen & Søn Showroom London

16A Bowling Green Lane
London
EC1R OBD
United Kingdom

Tel: +44 (0) 20 7632 7587
Mail: ukinfo@carlhansen.com

Carl Hansen & Søn Italy SRL

Showroom Milan
Foro Buonaparte 18/A/ Via Arco 4
20121 Milan
Tel: +39 02 89011837

Opening Hours:

Monday: 14.00-19.00

Tuesday-Friday: 10.00 - 19.00

Saturday: 10.00 - 18.00

Sunday: closed

Area Manager Southern Europe

Ottorino Castegnaro

Tel: +39 340 4266636

Mail: oc@carlhansen.dk

AMERICA

Carl Hansen & Søn Showroom New York

251 Park Avenue South

13th Floor

New York, NY 10010

Tel: +1 212 242 6736

Customer Service: Northamerica@carlhansen.com

Contract Sales:

Contract contact information US

(<https://www.carlhansen.com/contract-contact-information-usa/>)

Thomas Vagner, President: tv@carlhansen.com

Angela Patsiopoulos, Director of Retail Sales: ap@carlhansen.com

Carl Hansen & Søn Showroom Los Angeles

8745 Washington Boulevard

Studio B

Culver City, CA 90232

Tel.: + 1 (310) 842-8656

ASIA/PACIFIC

Carl Hansen & Søn Japan K.K.

2F Hills Aoyama, 3-39-9 Jingumae

Shibuya-ku 150-0001
Tokyo, Japan

Tel: +81 3 5413 6771
Fax: +81 3 5413 6772
info@carlhansen.jp

Carl Hansen & Søn Flagship Store Japan

Aoyama Artworks 1/2F
2-5-10 Jingumae
Shibuya-ku, Tokyo, 150-0001
Japan
+81 3 5413 5421

Opening hours
Mon-Fri: 11 am- 8 pm
Sat. Sun. and
National Holidays: 12 a m - 7pm

Carl Hansen & Søn Asia Pacific Limited

16th Floor, 202 Centre
202-204 Des Voeux Road West
Hong Kong

Tel: +852 563 10267
Mail: asiainfo@carlhansen.dk

Carl Hansen & Søn China

570 Yongjia Road, Surpass Court Building 5 Room 501
Xuhui District, Shanghai
China, 200030

Tel: +86 15000390978
Mail: chinainfo@carlhansen.dk

